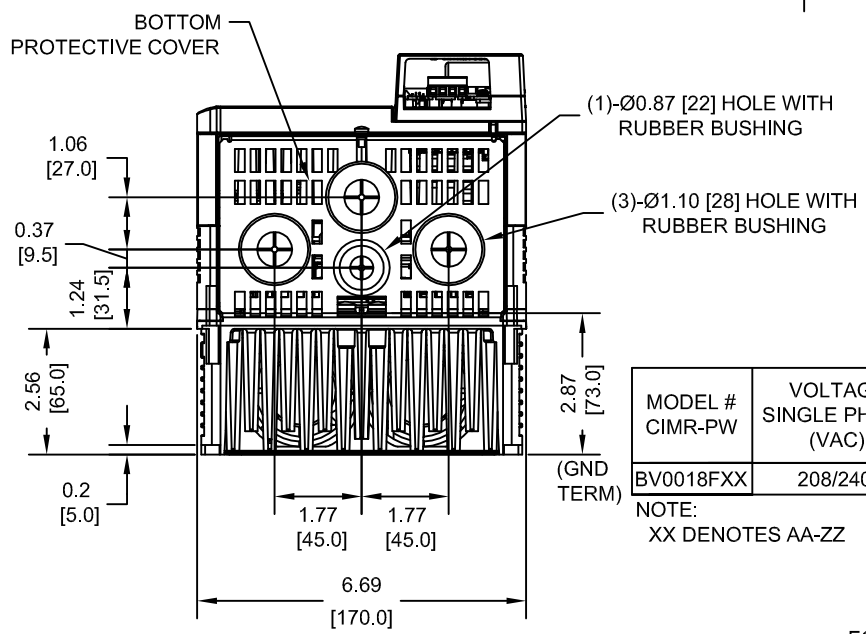
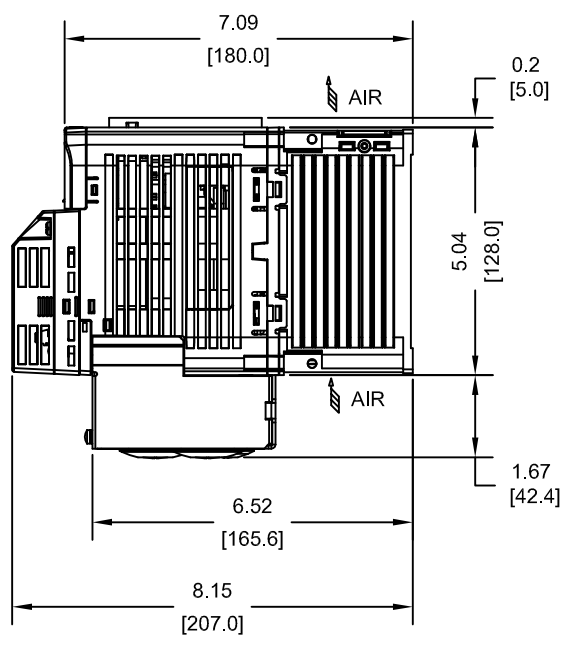
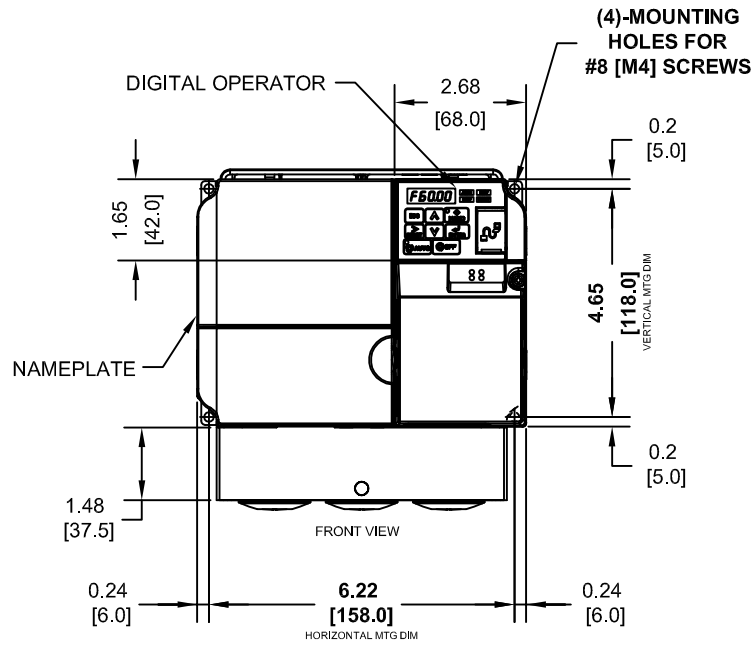


NOTE:
PROTECTIVE COVERS ARE FACTORY INSTALLED TO THE TOP AND BOTTOM OF THE DRIVE TO MEET IP20 & NEMA TYPE 1 REQUIREMENTS, RESULTING IN AN AMBIENT TEMPERATURE RATING OF 104F(40C). REMOVE THESE COVERS WHEN OPERATING THE DRIVE WITHIN A PANEL TO OBTAIN THE MAXIMUM SURROUNDING AIR TEMPERATURE RATING OF 122F(50C). REMOVING THESE COVERS RESULTS IN AN ENCLOSURE RATING OF IP00.



MODEL #	VOLTAGE SINGLE PHASE (VAC)	OUTPUT CURRENT (A)	WEIGHT LBS (Kg)	HEAT LOSS (W) (Fc=8kHz)		
				INT	EXT	TOT
BV0018FXX	208/240	17.5	7.3 (3.3)	51.4	110.5	161.9

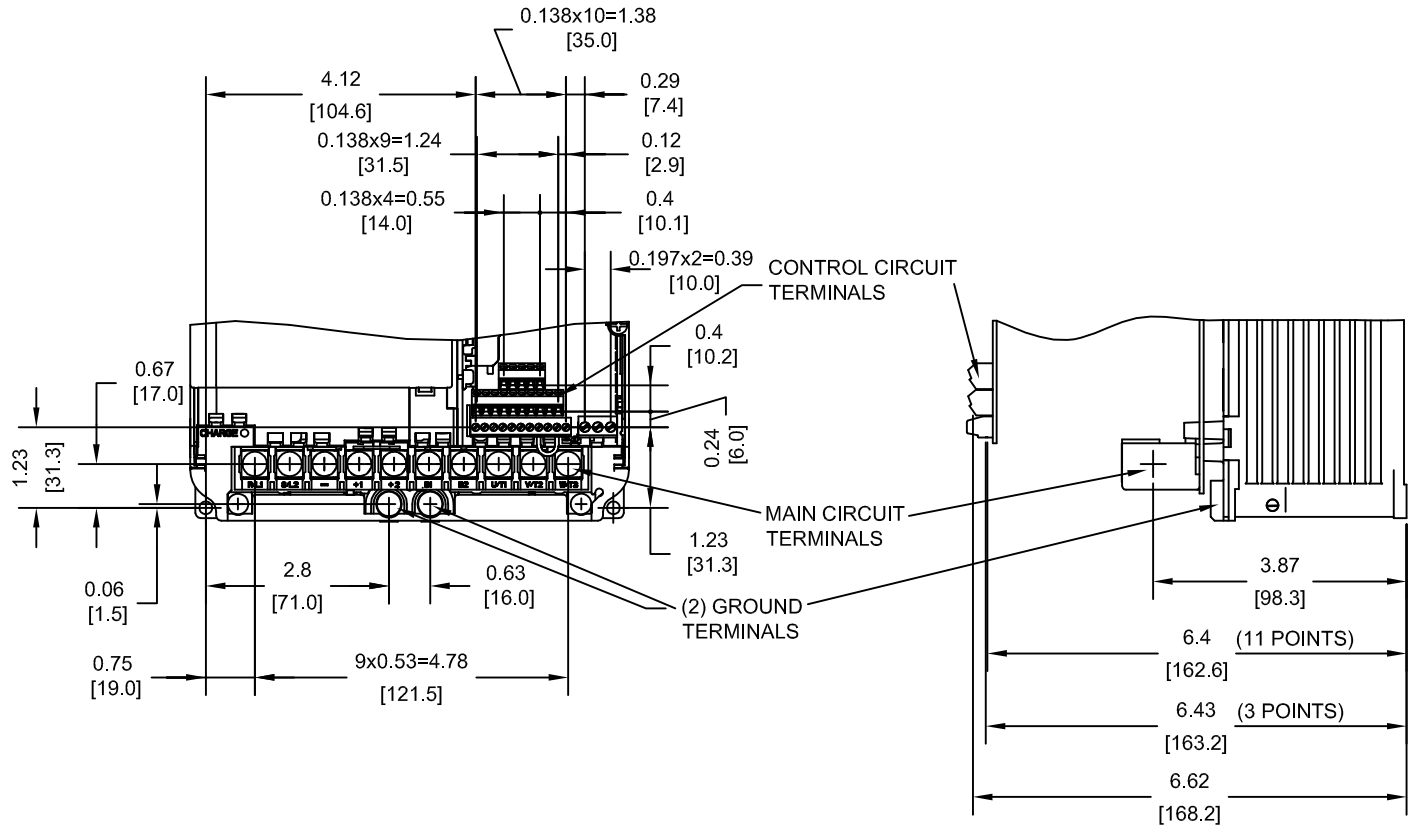
NOTE:
XX DENOTES AA-ZZ

INT=INTERNAL COMPONENTS
EXT=EXTERNAL HEATSINK
TOT=TOTAL

FOR ADDITIONAL DETAILS AND SPECIFICATIONS, CONSULT MANUAL

TOLERANCES / REFERENCES:		<p>YASKAWA</p> <p>THIS DOCUMENT AND INFORMATION CONTAINED IN IT ARE CONFIDENTIAL, AND CANNOT BE COPIED OR DISCLOSED IN WHOLE OR IN PART WITHOUT THE EXPRESS WRITTEN CONSENT OF YASKAWA AMERICA, INC.</p>	DRAWN: J. MATTAS CHECKED: J. PIOTROWSKI TECH: J. BORJA APPROVED: J. CAIRO ORIGINAL DESIGN: -	DATE: 10-28-14 DATE: 10-31-14 DATE: 11-3-14 DATE: 11-18-14 DATE: -	TITLE: IQ PUMP MICRO DIMENSION DRAWING FRAME SIZE 13 NEMA TYPE 1 ENCLOSURE BV0018F
UNITS: IN[mm]	SCALE: 1:4		SIZE: A REVISION: R00 DRAWING #: DD.IQPM.FR13.N1	PAGE: 1 of 4	

TERMINAL AND WIRING DETAILS (SCALE 1:3)




TERMINAL AND WIRE SPECIFICATIONS FOR
MAIN CIRCUIT AND GROUND

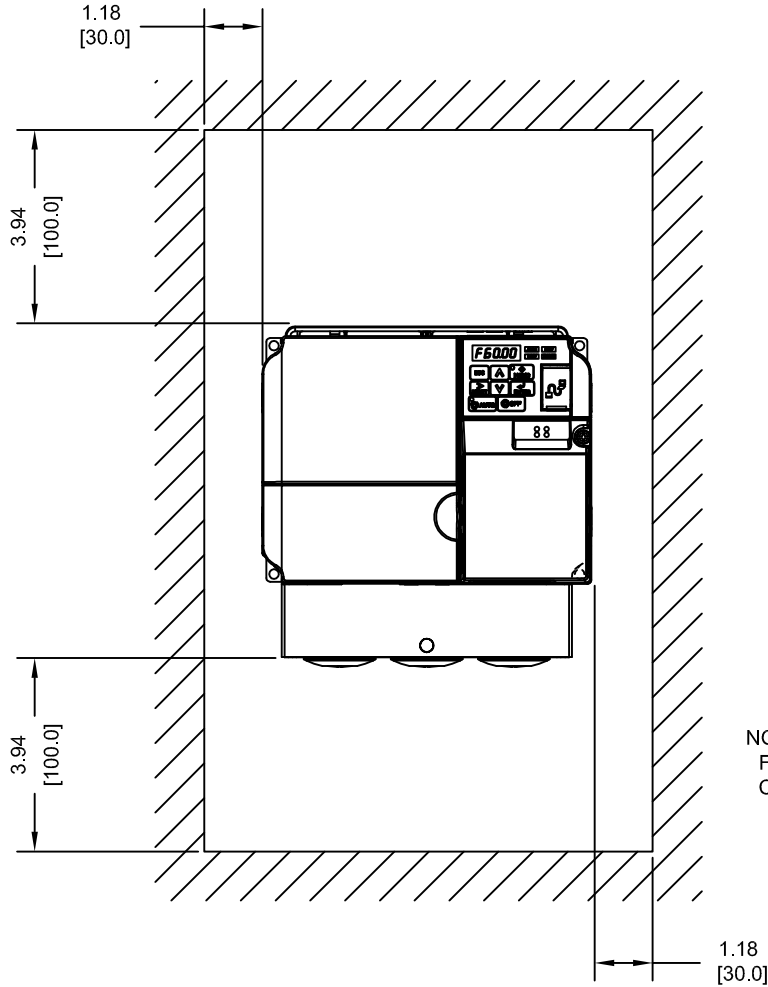
MODEL #	TERMINAL SCREW	CLAMPING TORQUE lb.in.(N.m.)	WIRE RANGE AWG(mm ²)
BV0018F	M5	22.1 (2.5)	12-8 (3.5-8)

NOTE: RATINGS APPLY TO BOTH FACTORY AND FIELD WIRING
REFER TO APPLICABLE CODES FOR PROPER WIRE TYPE AND SIZE

FOR ADDITIONAL DETAILS AND SPECIFICATIONS, CONSULT MANUAL

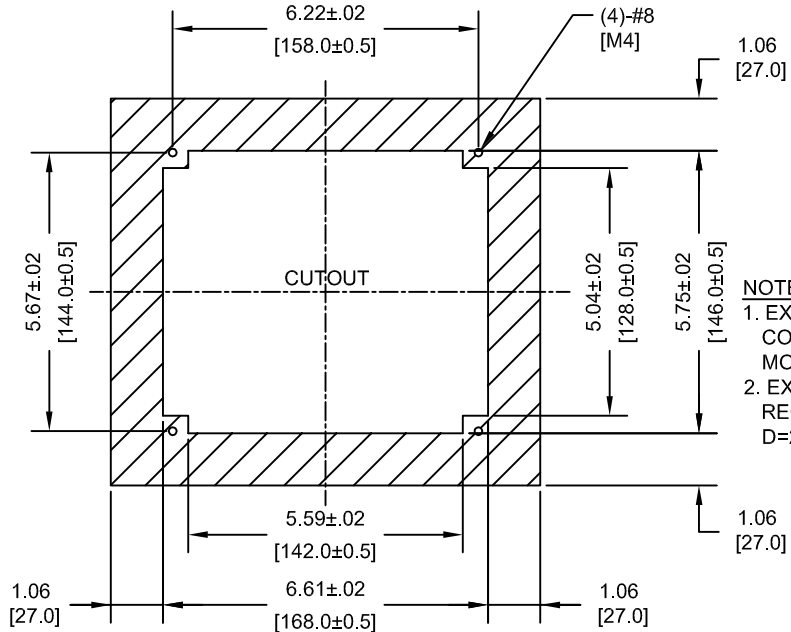
TOLERANCES / REFERENCES:		DRAWN:	J. MATTAS	DATE:	10-28-14	TITLE: IQ PUMP MICRO DIMENSION DRAWING FRAME SIZE 13 NEMA TYPE 1 ENCLOSURE BV0018F			
		CHECKED:	J. PIOTROWSKI	DATE:	10-31-14				
		TECH:	J. BORJA	DATE:	11-3-14				
		APPROVED:	J. CAIRO	DATE:	11-18-14				
UNITS: IN[mm]	SCALE: BY VIEW	ORIGINAL DESIGN:	-	DATE:	-	DRAWING #: DD.IQPM.FR13.N1			
		THIS DOCUMENT AND INFORMATION CONTAINED IN IT ARE CONFIDENTIAL, AND CANNOT BE COPIED OR DISCLOSED IN WHOLE OR IN PART WITHOUT THE EXPRESS WRITTEN CONSENT OF YASKAWA AMERICA, INC.		SIZE:	A	REVISION:	R00	PAGE:	2 of 4

MINIMUM INSTALLATION CLEARANCES (SCALE 1:4)



NOTE:
FOR SIDE-BY-SIDE MOUNTING
CONSULT MANUAL

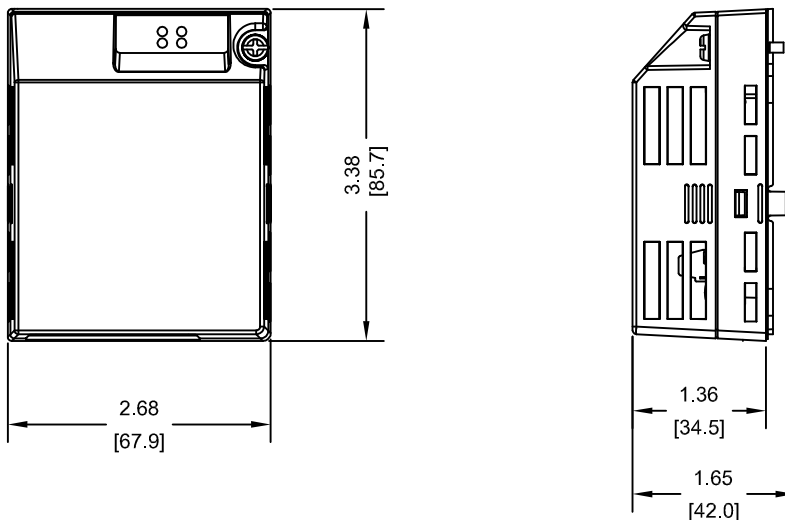
PANEL CUTOUT FOR EXTERNAL HEATSINK
MOUNTING CONFIGURATION (SCALE 1:4)



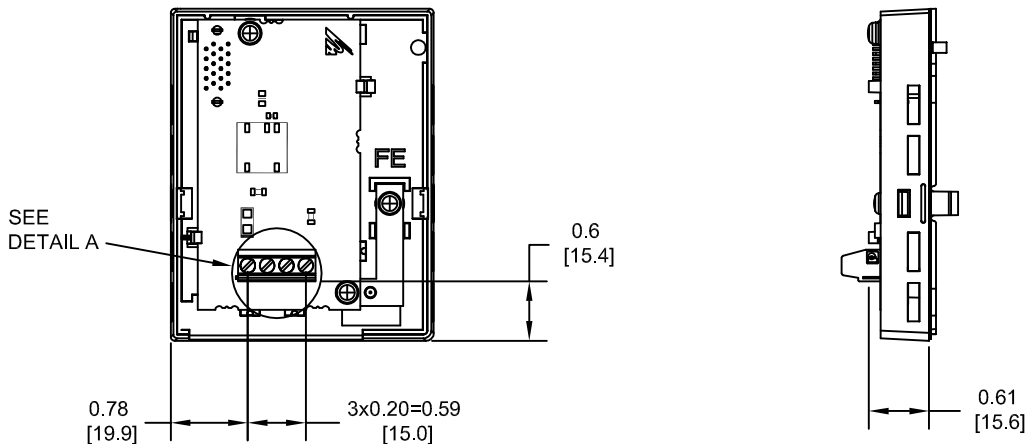
NOTES:
1. EXTERNAL HEATSINK
CONFIGURATION REQUIRES
MOUNTING KIT
2. EXPOSED HEATSINK
RECOMMENDED CLEARANCE
D=2.76" MINUS PANEL THICKNESS

TOLERANCES / REFERENCES:		<p>THIS DOCUMENT AND INFORMATION CONTAINED IN IT ARE CONFIDENTIAL, AND CANNOT BE COPIED OR DISCLOSED IN WHOLE OR IN PART WITHOUT THE EXPRESS WRITTEN CONSENT OF YASKAWA AMERICA, INC.</p>	DRAWN: J. MATTAS	DATE 10-28-14	TITLE: IQ PUMP MICRO DIMENSION DRAWING FRAME SIZE 13 NEMA TYPE 1 ENCLOSURE BV0018F
			CHECKED: J. PIOTROWSKI	DATE 10-31-14	
			TECH: J. BORJA	DATE 11-3-14	
			APPROVED: J. CAIRO	DATE 11-18-14	
UNITS: IN[mm]	SCALE: BY VIEW	ORIGINAL DESIGN:	-	DATE	-
			SIZE A	REVISION R00	PAGE 3 of 4
			DRAWING #: DD.IQPM.FR13.N1		

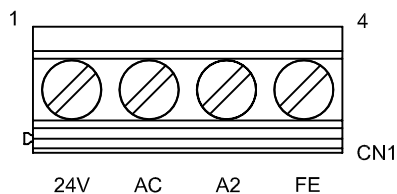
24V OPTION KIT (SCALE 1:2)



24V OPTION KIT (SCALE 1:2)
COVER REMOVED




DETAIL A (SCALE 2:1)



24V OPTION KIT - SPECIFICATIONS

TERMINAL SCREW	CLAMPING TORQUE lb.in.(N.m.)	WIRE RANGE AWG(mm ²)	OPTION KIT WEIGHT LBS(Kg)
M3	4.4 TO 5.3 (0.5 TO 0.6)	30-14 (0.05-2.0)	0.1 (0.05)

TOLERANCES / REFERENCES:		 THIS DOCUMENT AND INFORMATION CONTAINED IN IT ARE CONFIDENTIAL, AND CANNOT BE COPIED OR DISCLOSED IN WHOLE OR IN PART WITHOUT THE EXPRESS WRITTEN CONSENT OF YASKAWA AMERICA, INC.	DRAWN: J. MATTAS	DATE 10-28-14	TITLE: IQ PUMP MICRO DIMENSION DRAWING FRAME SIZE 13 NEMA TYPE 1 ENCLOSURE BV0018F	
			CHECKED: J. PIOTROWSKI	DATE 10-31-14		
			TECH: J. BORJA	DATE 11-3-14		
UNITS: IN[mm]	SCALE: BY VIEW		APPROVED: J. CAIRO	DATE 11-18-14	SIZE A	REVISION R00
		ORIGINAL DESIGN: -	DATE -	DRAWING #: DD.IQPM.FR13.N1		